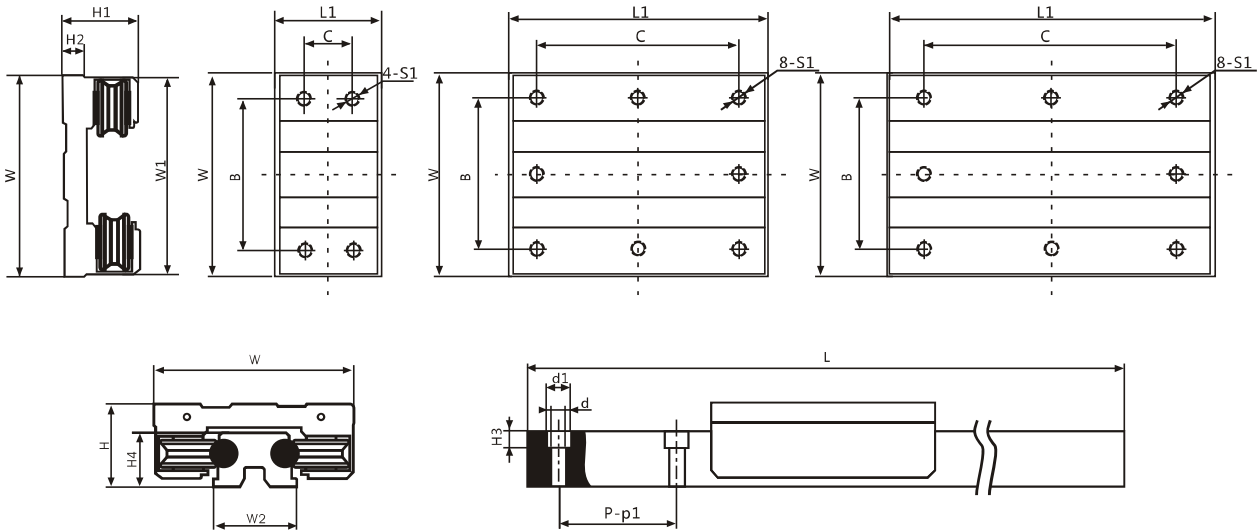


SG		SGR Rail Dimensions											SGB BLOCK DIMINATION													
SGR	SGB	H	W	W ₁	H ₂	dp	P	(直径)	(W/m)	T	d	d1	L1	Lmax	B	C	H1	S	Wheels	Position	Basic Load sta.	Load dym.	(N.m)			Weight
10	-3	23	28	28	14	3.3	60	5	1.05	7	3.4	6	47	4000	18.5	30	8.5	M4	3	2	343	322	6.4	6.8	7.1	1402
	63												4						1.3	450	420	7.5	8.1	8.6	1621	
	80												5						2.4	465	435	8.3	8.8	9.4	1722	
15N	-3	32	44	38	18.5	5.5	120	6	1.65	7	4.5	8	60	4000	26	26	12	M5	3	2	490	460	10.2	9.2	9.8	1846
	80												4						1.3	700	660	14.5	13.2	14.0	2146	
	100												5						2.4	980	980	20.3	37	39	2216	
15	-3	32	46	46	18.5	5.5	120	6	1.76	8	4.5	8	52	4000	32	36	12	M5	3	2	490	460	13.8	7.4	7.8	2306
	72												4						1.3	700	660	19.8	21.1	22.4	2366	
	86												5						2.4	980	700	27.7	44.3	47	2426	
20N	-3	36	47	47	22.5	5.5	120	8	2.25	8	5.5	9.5	80	4000	38	30	12	M6	3	2	820	980	29.4	25.4	18.2	2739
	104												4						1.3	1.0	1.4	42	72.8	52	2799	
	130												5						2.4	4.4	19.6	82.4	129	92.4	2859	
20	-3	36	60	60	22.5	5.5	120	8	2.75	8	5.5	9.5	80	4000	50	40	12	M6	3	2	820	980	42.1	21.5	15.4	3568
	104												4						1.3	1.0	1.4	60.2	61.6	44	3628	
	130												5						2.4	1.4	19.6	84.4	129	92.4	3688	
25	-3	44	70	70	26	6.5	120	10	3.88	9	6.5	11	100	4000	57	45	15	M8	3	2	12.6	14.7	68	49	42	4909
	130												4						1.3	18.0	21.0	96.6	139	119	5009	
	160												5						2.4	25.2	29.4	135	291	249	5109	
35	-3	56	100	90	35	8	160	12	6.45	11	8.5	14	135	6000	82	62	18	M12	3	2	28.0	28.0	160	126	128	8243
	180												4						1.3	40.0	40.0	228	360	360	8643	
	225												5						2.4	56.0	56.0	319	758	456	9043	
50	-4	98	148	150	70	16	200	20	21.1	25	16	23	245	2000	115	150	25	M14	4	2/3	150.0	150.0	940	2900	1600	54000



Model	Shaft		Block Dimensions					Rail Dimensions								No. of Holds	Dynamic Load N	Static Load N	Weight		
	D	H	W	W2	H1	H2	W1	L1	B	C	S1	H3	H4	d1	d					p	p1
LGD16	16	50	120	50	45	14	118	150	90	120	M8X14	10	33	14	8.5	80	6000	8	480	540	4.7
								190		150								8/6	520	620	
LGD12	12	39	82	36	35	12	80	60	54	36	M6X12	8	25.5	10.5	6.5	100	50	6000	4	140	3.1
								100		76								8	180	230	
								140		116								8/6	190/210	300/330	
								160		136								8	220/260	350/400	
LGD8	8	33	67	30	27.5	14	65	70	45	45	M6X9	8	21	9.5	5.5	80	4000	4	120	190	2.0
								100		75								4	140	210	
LGD6	6	29	60	26	26	12	58	60	38	40	M5X8	6.5	17.8	9.5	5.5	60	4000	4	100	130	1.25
								100		75								4	120	150	